



- Standard medium duty
- Up to 120 kg door weight
- 90° hold open
- Two speed adjustments
- Dual action or Single action
- Tested for 5,00,000 cycles

Technical Description

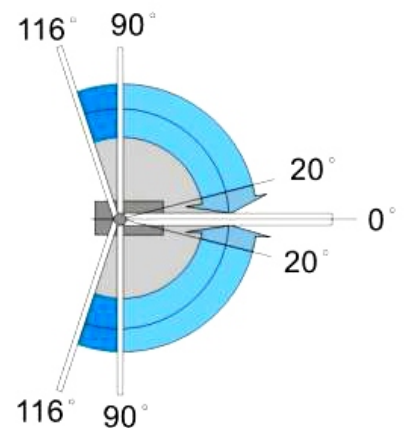
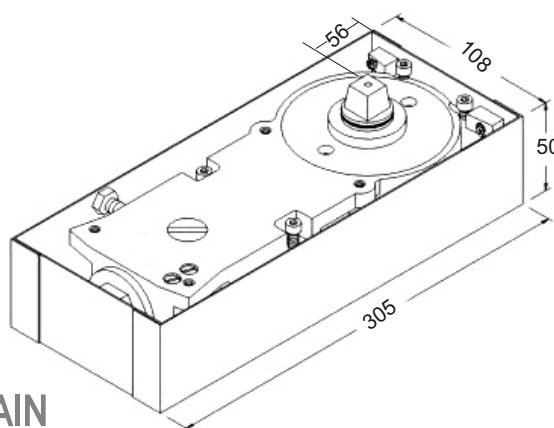
- Two closing speeds variable by valve adjustment to provide full hydraulic control
- Valve 1 : 116° - 20° closing speed range
- Valve 2 : 20° - 0° latching speed range
- With 90° hold open device
- Back stop 116°

Others Features

- The body position can be adjusted in cement case for horizontal 8mm and longitudinal 9mm
- Cover plate in stainless steel matt finish
- Rectangular Pivot

Technical Data

Model No.	Closing force approx.(Nm)	Max.Door width (mm)	Max.Door weight (kgs)
F3	33	1100	120



Grindwell Norton Limited
Building Products & Solutions

Devanahalli Road, Via. Old Madras Road, Bangalore - 560 049 India.
Tel : 91- 80 - 28472900-4, 28472358 Fax : 91-80-28472524, 28472905
Mobile : +91-98801 71180 E-mail : harish.vh@saint-gobain.com

Represented by :